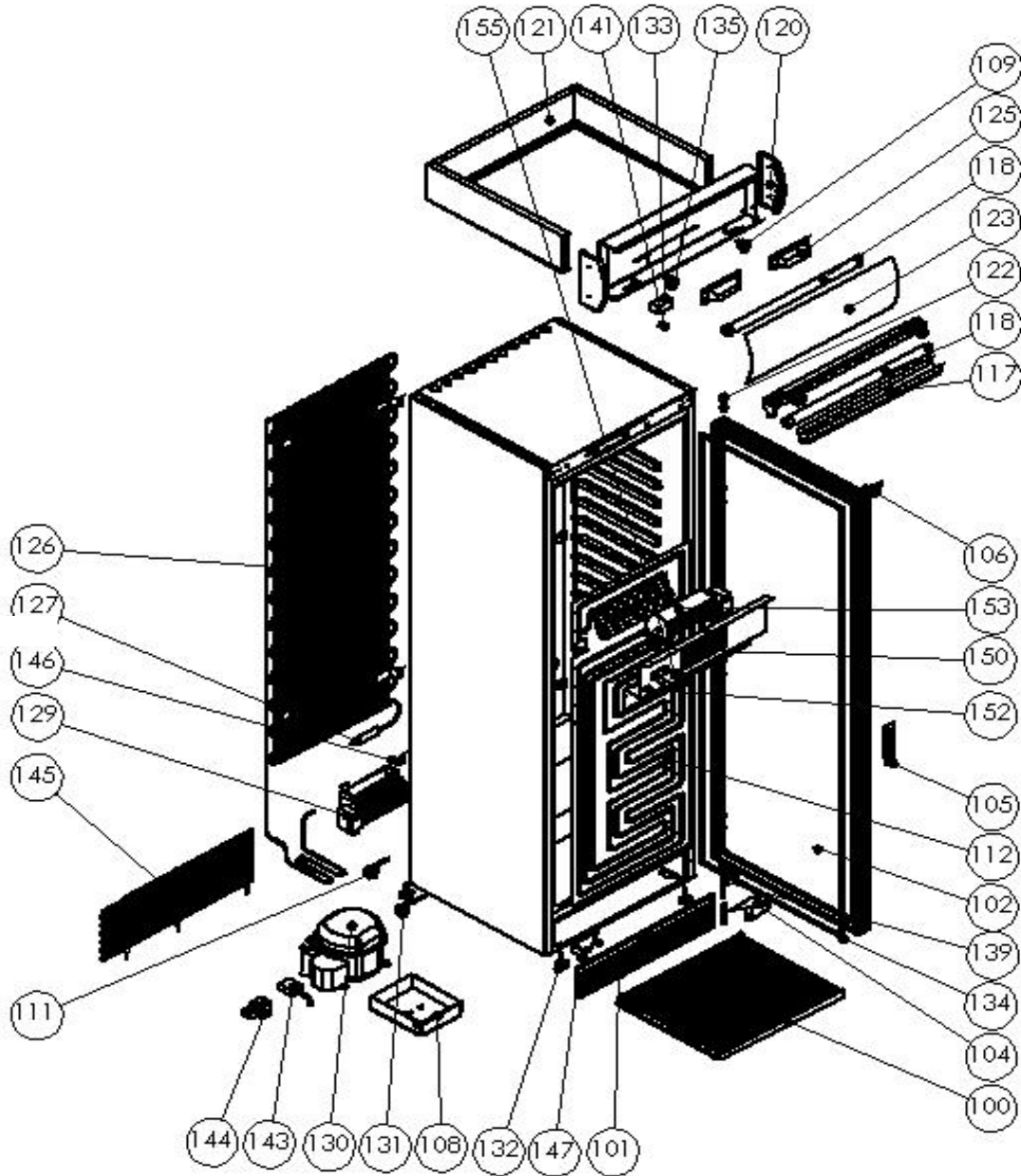


Patlamış perspektif
D 372 SC M4C / S 372 SC M4C KBS 375 GU Exploded view

D 372 SC M4 C

www.getränkekühlschrank.com
www.gewerbemoebel.de
www.gastroversum.de



D 372 SC M4C / S 372 SC M4C

www.getrankekuehlschrank.com
www.gewerbemoebel.de
www.gastroversum.de

Yedek parça listesi**Spare parts list**

| ref.no | stok kodu | | stok tanımı | Part name | açıklama |
|--------|-----------|----------|-------------------------------|---------------------------------------|----------|
| 100 | B6041085 | B6041158 | RAF | Shelf | |
| 101 | Z0150598 | 110548 | ALT PANEL | Bottom panel | |
| 102 | B6035168 | B6035168 | KAPI CAMI | Door glass | |
| 104 | 110160 | 110160 | ALT MENTEŞE | Bottom hinge (right hand) | |
| 105 | B6012039 | B6012092 | KAPI TUTAMAĞI | Door handle | |
| 106 | B6012079 | B6012067 | KİLİT | Lock | |
| 108 | B6030090 | B6030090 | DRENAJ TAVASI | Drip tray | |
| 109 | Z0370014 | -- | AYDINLATMA ANAHTARI | Internal light switch | |
| 111 | B6009160 | B6009341 | FİŞLİ KABLO | Power cable | |
| 112 | Z0310090 | Z0310090 | ROLL-BOND EVAPARATÖR | Evaporatör | |
| 117 | Z0151172 | B6030377 | FLORESAN LAMBA KAPAĞI | Cover for fluorescent tube | |
| 118 | Z0370019 | C6021180 | FLORESAN 15W | Fluorescent tube | |
| 118 | | C6021132 | FLORESAN LAMBA 30W.(İÇ DİKEY) | Cover for fluorescent tube | |
| 120 | B6032095 | B6030372 | KANOPI YAN KAPAĞI | Side cover for canopy | |
| 121 | 110096 | 110096 | BOYALI KANOPI YAN GÖVDESİ | Canopy body | |
| 122 | C6025102 | C6025102 | MENTEŞE PİMİ | Hinge bearing | |
| 122 | B6030097 | B6030097 | MENTEŞE BURCU | Hinge ring | |
| 123 | 100510 | 100510 | LEKSAN | Canopy logo plastic | |
| 125 | Z0410005 | C6021200 | BALAST | Impedance coil | |
| 125 | C6021223 | C6021203 | BALAST | Impedance coil | |
| 126 | A6005027 | A6005027 | ARKA KONDENSER | Rear condenser | |
| 127 | A6003135 | A6003135 | DRAYER | Dryer | |
| 129 | A6002124 | A6002116 | RADYAL FAN KOND. İÇİN | Radial fan (back) | |
| 130 | A6001206 | A6001284 | KOMPRESÖR | Compressor | |
| 131 | B6020112 | B6020112 | TEKERLEK | Castor | |
| 132 | C6025155 | C6025155 | AYARLI AYAK VİDASI | Adjustment screw, complete | |
| 133 | A6004200 | A6004200 | TERMOSTAT | Thermostat | |
| 134 | Z0180081 | Z0180081 | KAPI LASTİĞİ | Gasket | |
| 139 | B6012044 | B6012044 | SELF CLOSING YAY | Spring for self closing | |
| 139 | B6012045 | B6012045 | SELF CLOSING CUBUĞU | Bearing for Self closing | |
| 141 | Z0150266 | Z0150266 | TERMOSTAT DÜĞMESİ | Thermostat button | |
| 143 | A6008109 | -- | TERMİK | Overload protector | |
| 144 | A6008108 | -- | RÖLE | Relay | |
| 145 | B6041208 | B6041157 | ARKA PANJUR | Back shutter | |
| 146 | B6041105 | B6031202 | RADYAL FAN BRAKET SAĞ | Bracket for radial fan (right) | |
| 146 | B6031244 | B6031243 | RADYAL FAN BRAKET SOL | Bracket for radial fan (left) | |
| 150 | 100260 | 100883 | İÇ RADYAL FAN BAĞLAMA SACI | Bracket set for evaporator radial fan | |
| 152 | 110171 | 110171 | RADYAL FAN KAPAĞI | Cover for radial fan | |
| 153 | A6002124 | A6002115 | RADYAL FAN İÇ | Radial fan (inside) | |
| 155 | B6030305 | B6030305 | TERMOMETRE BEYAZ | Thermometer | |
| 147 | 110160 | | SOL ALT MENTEŞE | Bottom hinge (Left hand) | |

Teknik özellik sayfa no / technical spec. page no : 5/8 S.B. 07.05.2003

Klimasan A.Ş. R&D Lab.

Revizyon no / Revision no :1

Revizyon tarihi / Revision date :11.03.2006